

1. APPLICATION

Suitable for all gaseous and liquid media that will not obstruct the pressure system or attack copper alloy parts. Useful for system that are not submitted to strong vibrations. Specially designed for pneumatics and hydraulics



How to order:
 M 01 02 + chosen options

2. CONSTRUCTION / DESIGN

2.1. Design		EN 837-1
2.2. Mounting	x	Direct: Free standing on the radial/rear screwed connection
2.3. Degree of Protection		IP 44 per EN 60529 / IEC 529

3. MATERIALS AND DIMENSIONS

3.1. Case		
3.1.1. Material		Polyethylene in black colour
3.1.2. Nominal size	x	Ø 40 y 50mm
3.2. Bezel ring		
3.2.1. Material		Without ring
3.2.2. Seal		
3.3. Internal elements		
3.3.1. Materials		Elastic element and movements in copper alloy. Soft tin welding and copper alloy soldering
3.3.2. Structure		Elastic element: With "C" type
3.4. Screwed connection		
3.4.1. Material		Brass
3.4.2. Thread		1/8" BSP for Ø40mm and 1/4" BSP for Ø50mm as UNE-EN 10226-1
3.5. Window		Acrylic. Snap-fit
3.6. Dial		White lacquered aluminium
3.7. Pointer		Aluminium anodized in black

4. PRESSURE

4.1. Range	x	0+4 0+6 0+12
4.2. Scale		Double scale, black coloured for Bar and red coloured for Psi
4.3. Subdivision		In accordance with EN 837-1
4.4. Accuracy / Class		Class 2,5
4.5. Use conditions:		
4.5.1. Condiciones de Presión		Steady: 3/4 of full scale value Fluctuating 2/3 of full scale value Maximum pressure: (for short time) Full scale value
4.5.2. Operating temperature		Ambient: -40+65°C Medium: 60°C maximum

5. OPTIONS

5.1. Antivibration system		Unavailable
5.2. Logotypes		Customized (minimum quantity required)
5.3. Other connection thread		1/8" BSPT 1/4" BSPT

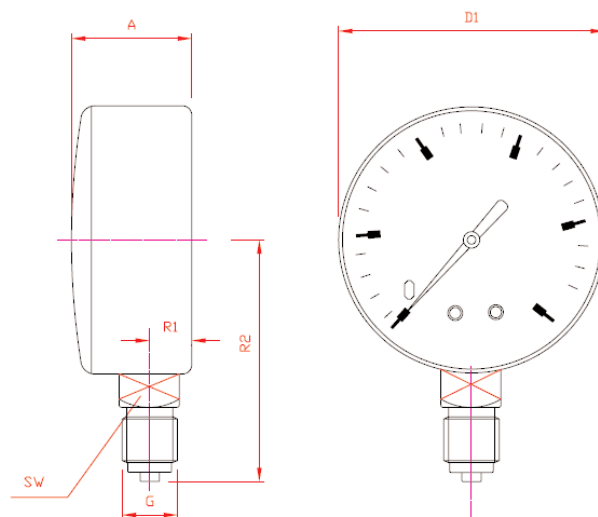


Fig. M 01 02 A (Radial)

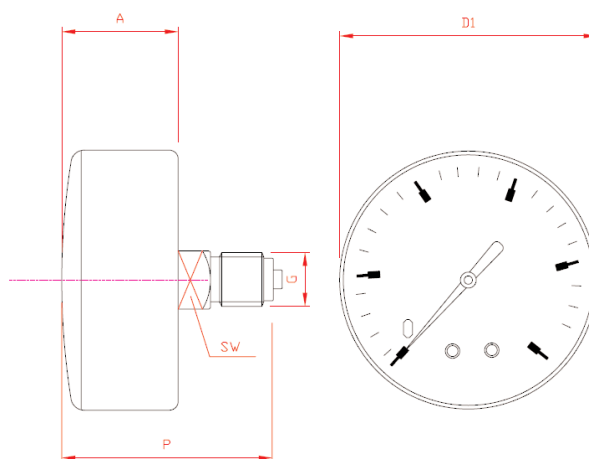


Fig. M 01 02 B (Back centered)

		DIMENSIONS (mm) (tolerances ± 1 mm)							WEIGHT (g)
DN	Connection	R1	A	D1	G	R2	SW	P	
Ø40	Radial	8	25	40	1/8 BSPT	36	11		38
Ø40	Rear		24	40	1/8 BSPT		11	39	40
Ø50	Radial	11	31	53	1/4 BSP	46	14		69
Ø50	Rear		30	53	1/4 BSP		14	48	77