

1. APPLICATION

Suitable for all gaseous and liquid media that will not obstruct the pressure system or attack copper alloy parts. Specially designed for pneumatics, heating, climate, ventilation



How to order:
 M 01 01 + chosen options

2. CONSTRUCTION / DESIGN

2.1. Design		EN 837-1
2.2. Mounting	x	Direct: Free standing on the radial/rear screwed connection
2.3. Degree of Protection		IP 44 per EN 60529 / IEC 529

3. MATERIALS AND DIMENSIONS

3.1. Case		
3.1.1. Material		Polyethylene in black colour
3.1.2. Nominal size	x	40mm and 50mm
3.2. Bezel ring		
3.2.1. Material		Without ring
3.2.2. Seal		
3.3. Internal elements		
3.3.1. Materials		Elastic element and movements in copper alloy. Tin soft welding and copper alloy soldering for pressure under 40 bar and for pressures over 40 bar in copper and silver alloy
3.3.2. Structure		Elastic element: "Bourdon" tube with "C" type for pressures up to 40 bar y en bar and in spring type for pressures over 40 bar
3.4. Screwed connection		
3.4.1. Material		Brass
3.4.2. Thread		1/8" BSPT for Ø40mm 1/4" BSPT for Ø50mm. as per UNE-EN 10226-1
3.5. Window		Acrylic. Snap-fit
3.6. Dial		White lacquered aluminium
3.7. Pointer		Aluminium anodized in black

4. PRESSURE

4.1. Range	x	-1+0 0+1.6 0+2,5 0+4 0+6 0+10 0+12 0+16 0+25
4.2. Scale		Double scale, black coloured for Bar and red coloured for psi
4.3. Subdivision		In accordance with EN 837-1
4.4. Accuracy / Class		Class 2,5
4.5. Use conditions		
4.5.1. Pressure conditions		Steady: 3/4 of full scale value. Fluctuating 2/3 of full scale value. Maximum pressure: (for short time) Full scale value
4.5.2. Operating temperature		Ambient: -40+60°C Medium: 60°C maximum

5. OPTIONS

5.1. Antivibration system		Unavailable
5.2. Logotypes		Customized (minimum quantity required)
5.3. Other connection threads		1/8" BSP for Ø40mm 1/4" BSP for Ø50 as per UNE-EN 10226-1

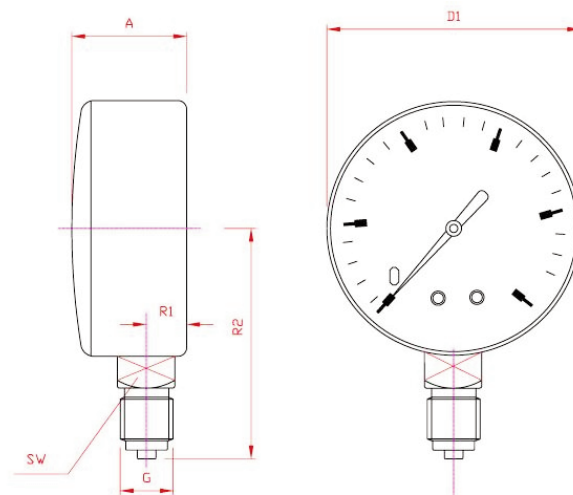


Fig. M 01 01 A (Radial)

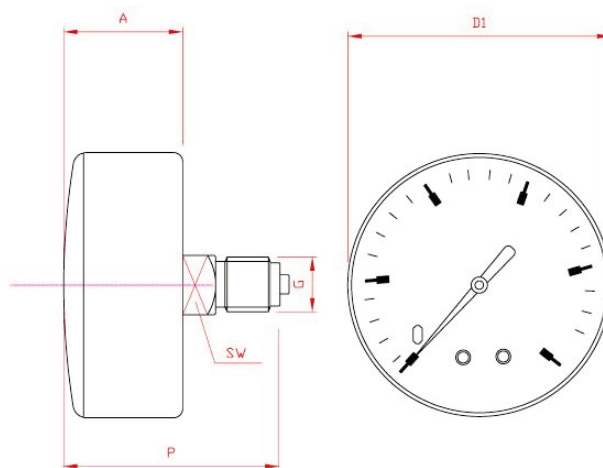


Fig. M 01 01 B (Back centered)

DN	Connection	DIMENSIONS (mm) (tolerances ± 1 mm)							WEIGHT (g)
		R1	A	D1	G	R2	SW	P	
Ø40	Radial	8	25	40	1/8 BSPT	37	11		40
Ø40	Rear		24	40	1/8 BSPT		11	39	43
Ø50	Radial	10	28	53	1/4 BSPT	46	14		73
Ø50	Rear		28	53	1/4 BSPT		14	46	79